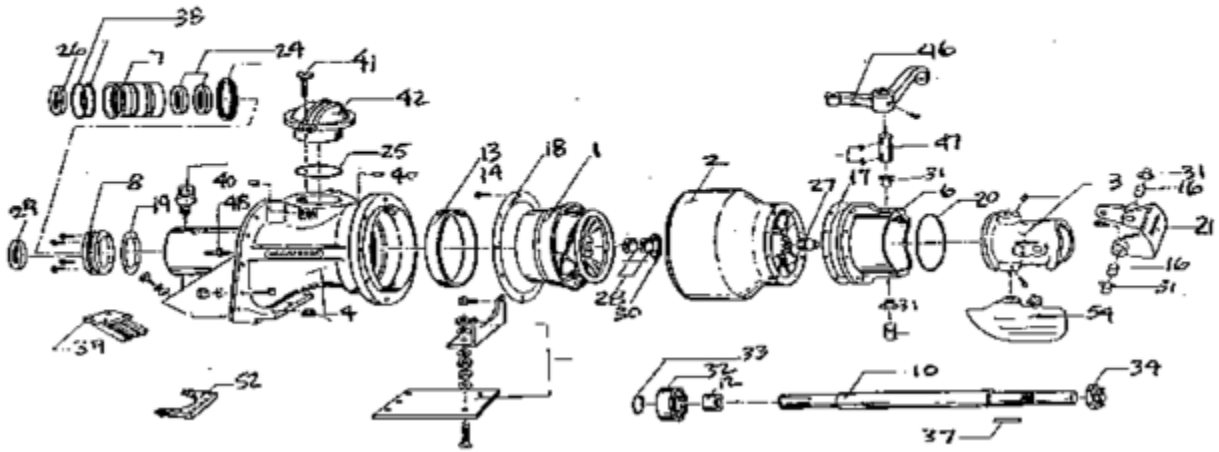


Aggressor Transon Drive

Component breakdown of the Aggressor JU-T/D jet pump. Identify the component you require by clicking on the thumbnail to enlarge the picture, find the system number of the item you require, and then go to the price list in the table below for pricing. You may e-mail us or call us at (417) 858-8616 for availability. Credit card orders can be taken over the phone. All prices are FOB Goddard, KS (Wichita).

AGGRESSOR JU T/D

Mfg.By AGGRESSOR



Aggressor JU-T/D Part Pricing

For Impellers, add the following suffix for the desired pitch:

01 = AA, 02 = A, 03 = B, 04 = C

* SEE OTHER PERFORMANCE PARTS

Sys No.	Sys Qty	Description	Aggressor p/n	Price ea
1	1	Impeller, 9" Tenz-Alum	550-300-	
1	1	Impeller, 9" Mag-Bronze	550-400-	
1	1	Impeller, 9" S/Steel	550-250-	
2	1	Split Bowl, 9 vane	1037	
	1	PRIME-A-JET *	PJ-200	
	1			
6	1	Nozzle Housing	1048	
7	2	Seal Pack(mach)	2017	
8	1	Bearing Cap	1059	
10	1	Pump Shaft	2021	
12	1	Shaft Sleeve	2019	
13	1	Ultimate Wear Ring	HT-101	
14	1	Insulator, NOT REQUIRED		
16	2	Pin, Rev Bkr	2027	
17	1	Gasket, Noz Hsg 8 hole	31265	
		Gasket, Noz Hsg 16 hole	31266	
18	1	Gasket, Bowl	31235	
19	1	Gasket, Brg Cap	31247	
		Double Drilled	31248	
20	1	O-Ring, Nozzle	31269	
21	1	Rev Bucket	1050	
24	2	Seal, Front Seal Pack	31249	
25	1	O-Ring, H/H Cover	31241	
26	1	Seal, Rear Seal Pack	31251	
27	1	Bowl Cap w/zk	2016	
28	2	Bowl Brg (Bushings) ea.	31262	
29	1	Clipper Seal B/Cap	31237	
30	1	Clipper Seal, Bowl	31239	
	1	Mount, Anti Vibration	31253	
31	4	Nylmer 3/4" Bushings	31234	
32	1	Thrust Bearing	31227	
33	1	Snap Ring, Shaft .090	31231	
34	1	Impeller Lock Nut Anodized	2035	
37	1	Key, Impeller	2031	
38	2	Seal Pack, O/Rings	31263	
39	1	Grate	2033	
40	2	H/H Cover Pins	2052	
41	2	H/H Knobs	1052	
42	#	H/H Cover	1055	
46	3	Tiller Arm	1061	
47	1	Tiller Pin	2023	
48	1	Water Outlet Hose Barb	2058	
52	4	Shoe	1039	
54	1	Rudder	1066	